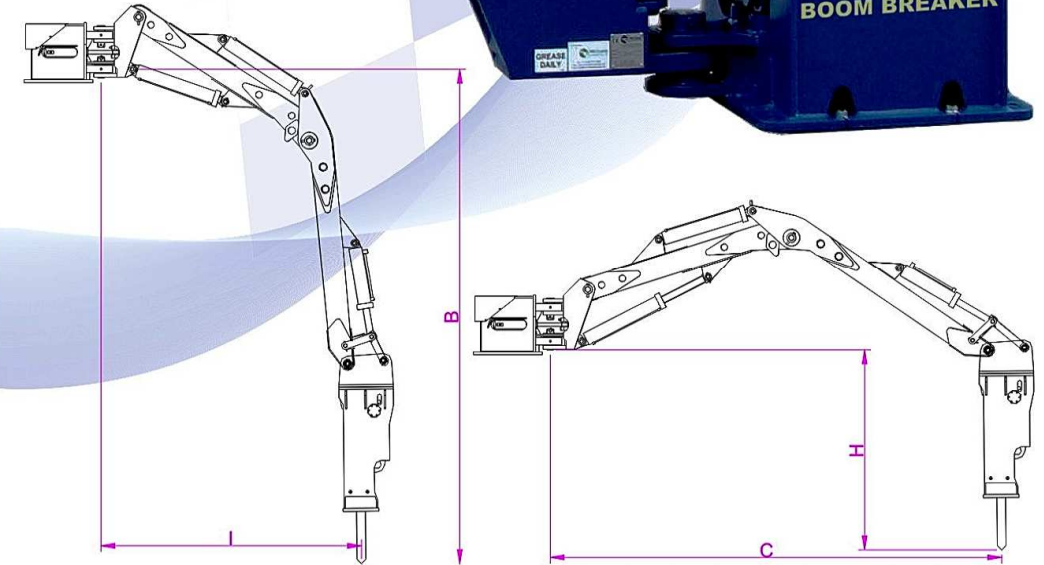
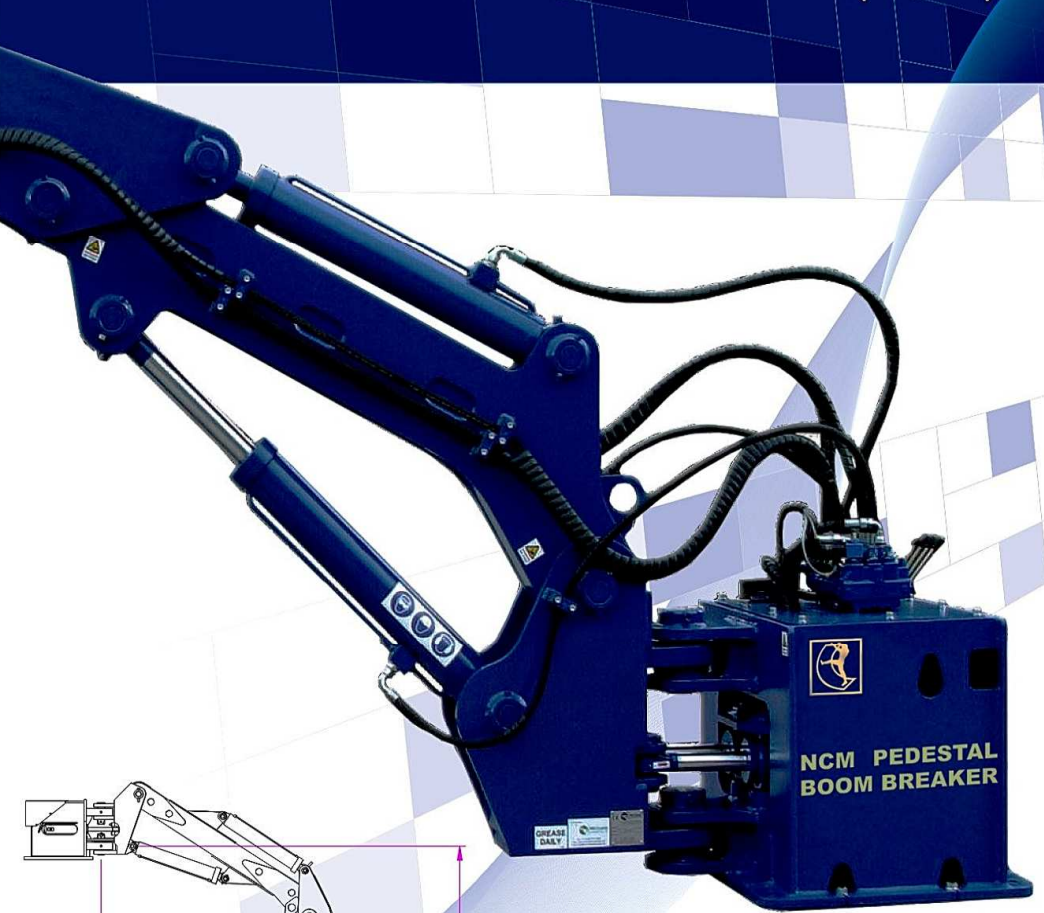
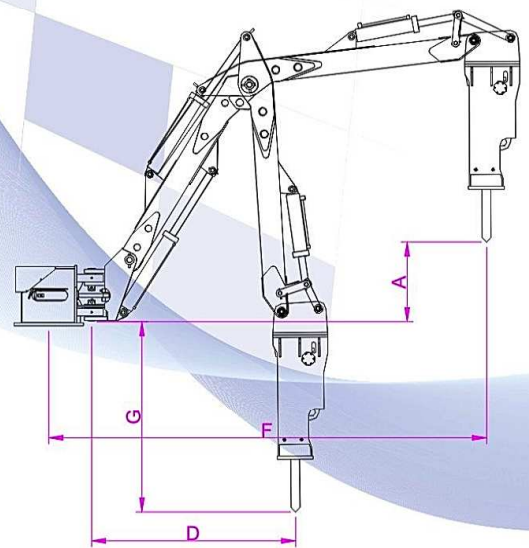
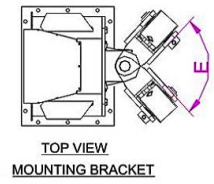
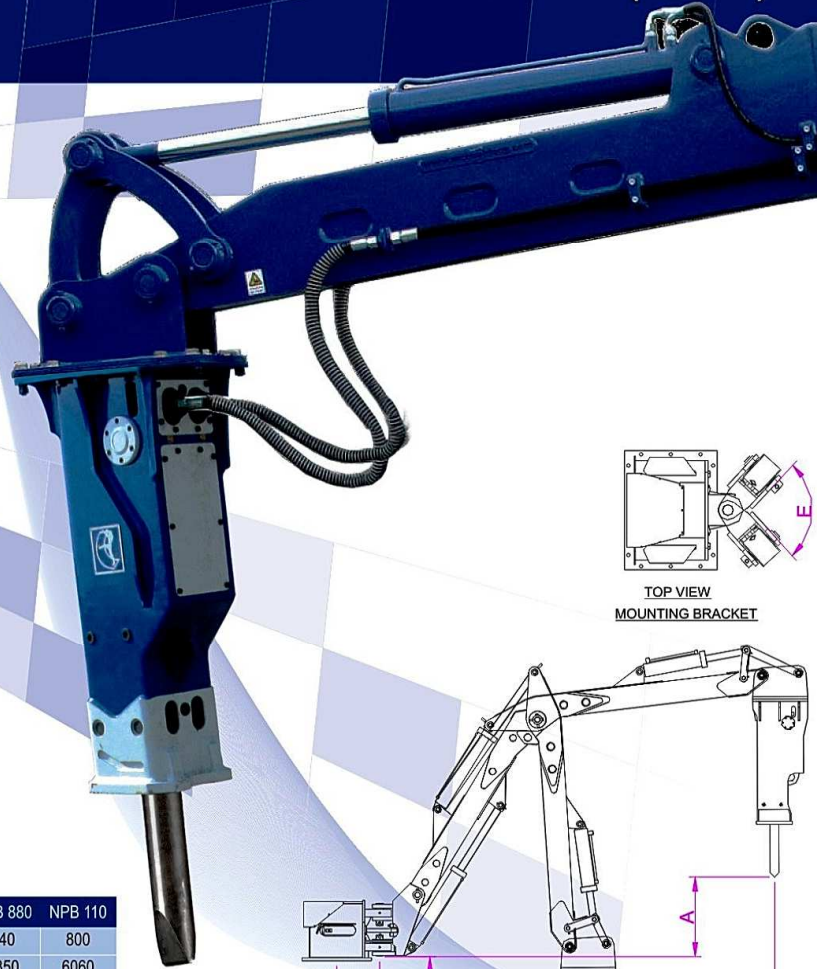


# NCM PEDESTAL BOOM BREAKER (NPB)

# NCM PEDESTAL BOOM BREAKER (NPB)



Dimension	NPB 880	NPB 110
Dims A	840	800
Dims B	5350	6060
Dims C	4910	6170
Dims D	2470	2740
Dims E*	95°	120°
Dims F	4670	4490
Dims G	1830	1960
Dims H	1650	2060
Dims I	2780	2690

\* 360° Rotation can be provided for specific requirements

Technical Data Sheet for Pedestal Boom Breakers					
Sr. No	Model	Breaker Model	Operating Weight	Breaker Operating Wt	Power Pack (Kw)
1	NPB 880	NRB-79 M1	2037 Kg.	319 Kg.	35 Kw
2	NPB 110	NRB-100 F1	3480 Kg.	795 Kg.	50 Kw