



NCM-SHOAVA
Engineers Pvt. Ltd.



NCM ROTARY SCREEN BUCKETS

HardOx® Steel
used in high wear areas
for strength and durability

NCM Rotary Screen Bucket is an efficient innovative approach for screening and recycling material on-site, hence reducing transportation costs and saving time.

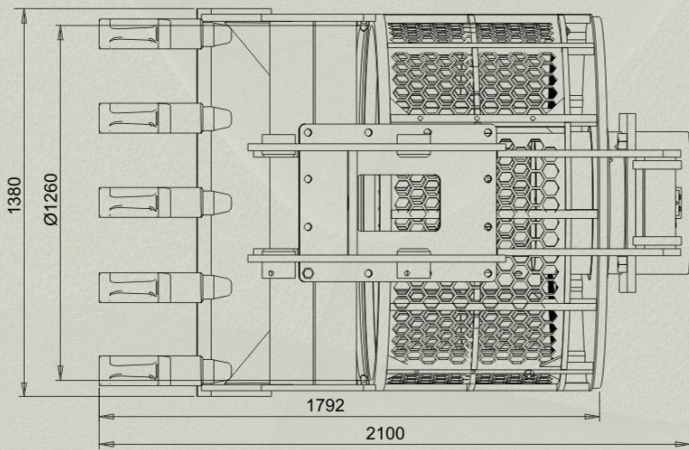
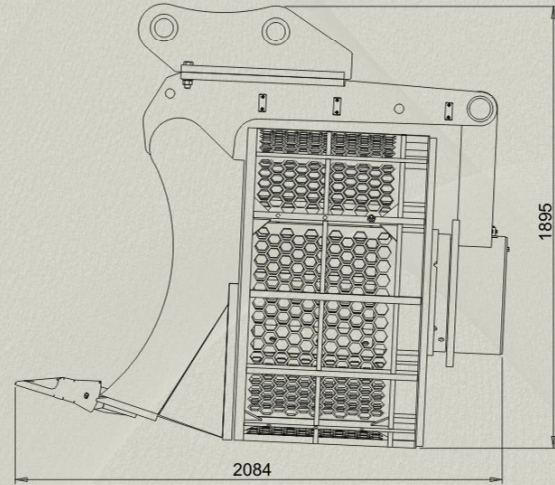
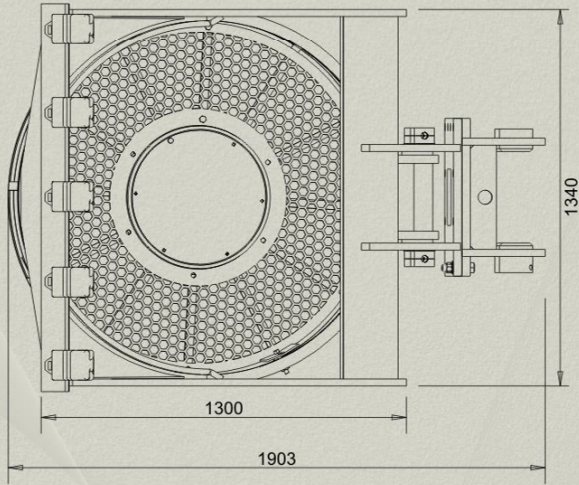
It is an excavator attachment used for screening of natural materials at sites like mines, quarries, river beds and recycling materials at demolition sites.



Regd. Office & Works :
Plot No. 11A-B, Industrial Area, Rau 453 331
District Indore (MP) INDIA



NCM-SHOAVA
Engineers Pvt. Ltd.



Technical Specifications		
	Excavator Class (Tons)	20
	Operating Weight (Kgs)	1799
	Working Pressure (Bar)	175
	Oil Flow (LPM)	60-75
	RPM	16-24
	Cubic Capacity (cu.m)	2.45
	Bucket ID (MM)	1260

Note : All dimensions in MM

Dealer's Details



Telephone
+91 731 2856093

CIN No.
U51109MP1993PTC007818

Email
ncmshoava@ncm.co.in

Website
www.ncm.co.in