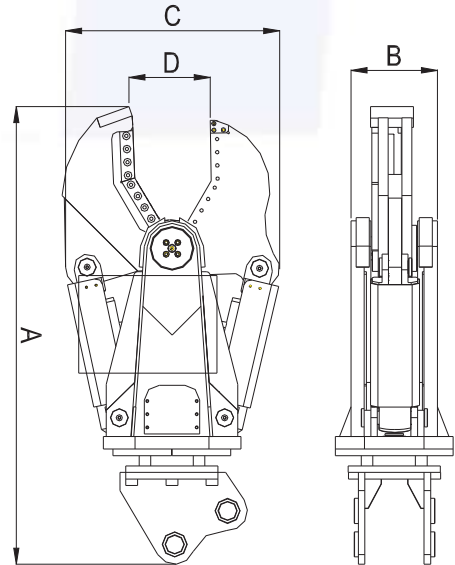
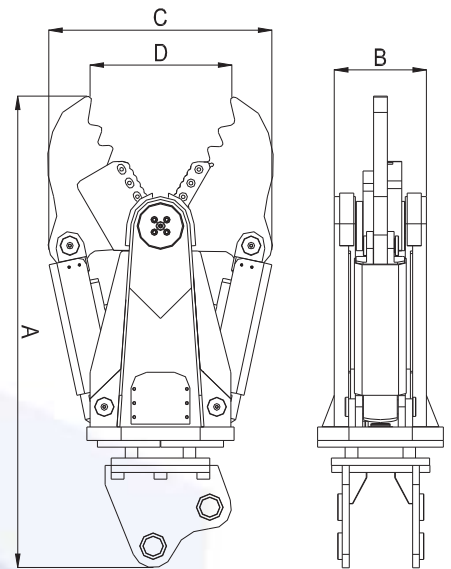


NCM MINI CUTTER (NMC)



NMC - 2548



NMC - 2696

Applications

1. Re-cycling
2. Controlled Demolition
3. Disaster Management
4. Scrap Yards

Steel Cutting Capacity Table

Section		Model		
		Units	NMC 2548	NMC 2696
Round Bars (Diameter)	●	MM	Ø 12	Ø 12
PIPE	○	NB	30 X 1.5 t	30 X 1.5 t
Flat	—	MM	50 x 5	50 x 5
ISA	└	MM x MM	25 x 25 x 3	25 x 25 x 3

Specification Chart for Mini Cutter

Description	Unit	Mini Steel Cutter	Mini Concrete Cutter
		NMC - 2548	NMC - 2696
Operating Weight	Kg	427	385
Overall Length (A)	MM	1403	1330
Jaw Width (B)	MM	262	262
Max Jaw Height (C)	MM	934	1157
Max Jaw Opening (D)	MM	247	418
Cutting Blades	Nos	05	02
Suitable Excavator (Tons)	Ton	4-7	4-7