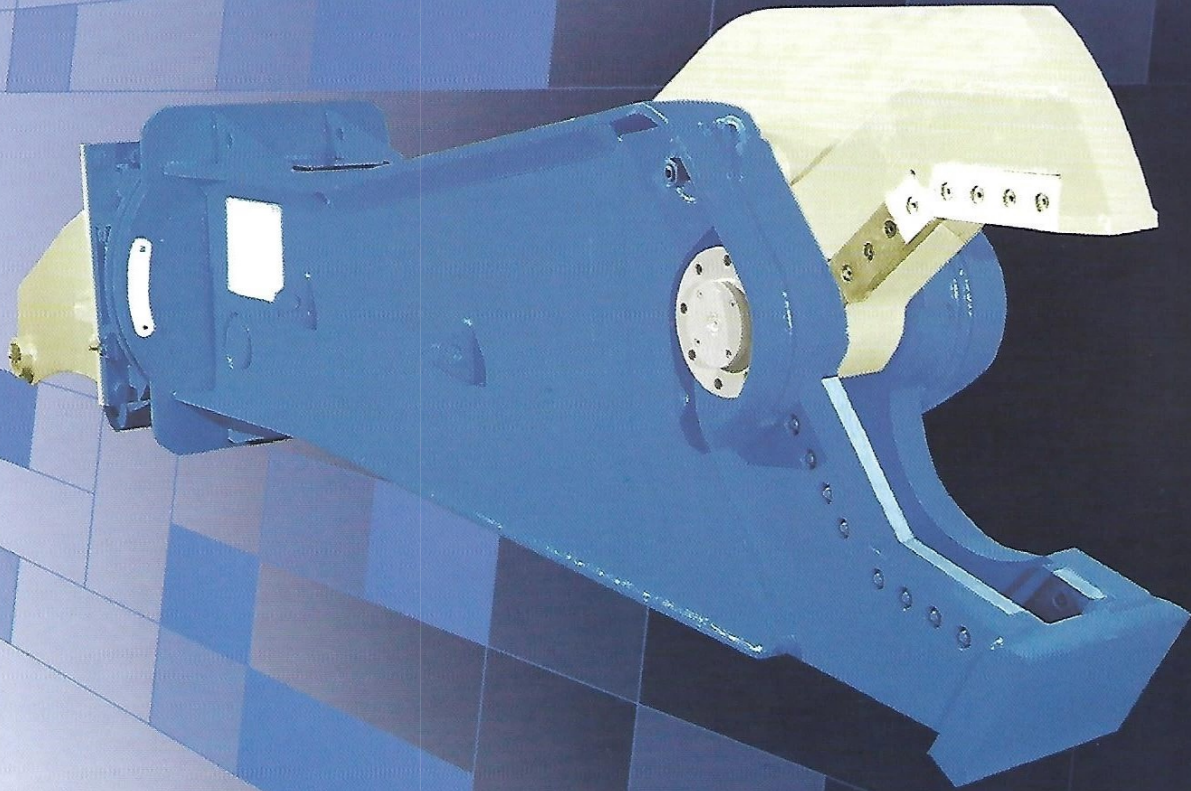


Regd. Office & Works :  
Plot No. 10, Industrial Area, Rau 453 331  
District Indore (MP) INDIA



**NCM-SHOAVA**  
Engineers Pvt. Ltd.



## **SHEAR THE IMPORTS**

Indian Shears, for India, by Indian Exporters

The only Indian company manufacturing and exporting attachments since a decade launches its NHS series Shears in India

### **ADVANCED DEMOLITION ATTACHMENTS**

एडवान्स्ड डिमॉलिशन अटॅचमेन्ट्स

**NCM Hydraulic Shear (NHS)**

एनसीएम हायड्रॉलिक शीअर (एनएचएस)

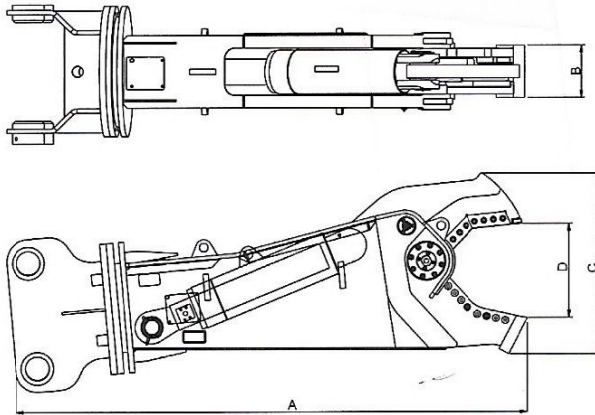
Full Range from 1027 Kgs to 6707 Kgs (Rotating and Non-rotating) Models for Carriers from 10 to 100 Tons  
10 से 100 टन कॅरियर के शीअर की पूर्ण श्रंखला (रोटेटिंग व नॉन-रोटेटिंग) 1027 कि. ग्रा. से 6707 कि. ग्रा.

Regd. Office & Works :  
 Plot No. 10, Industrial Area, Rau 453 331  
 District Indore (MP) INDIA



# NCM-SHOAVA

Engineers Pvt. Ltd.



Specification Chart for Hydraulic Shear

Description	Unit	Hydraulic Shear Models			
		NHS-2826	NHS-2798	NHS-2568	NHS-2562
Operating Weight	Kg	1,027	1,644	2,895	6,707
Overall Length (A)	MM	2,373	3,000	3,600	5,516
Jaw Width (B)	MM	825	1,024	1,205	1,434
Max Jaw Height (C)	MM	240	280	330	470
Max Jaw Opening (D)	MM	400	530	626	725
Cutting Blades	Nos	4	4	4	4
Cutting Blade Length	MM	200	250	300	310
Max. Cutting Force	Ton	60	70	130	140
Oil Pressure (Max)	bar	350	350	350	350
Suitable Excavator (Tons)	Ton	10-16	18-26	27-36	70-100

Steel Cutting Capacity Table

Section	Units	Model			
		NHS 2826	NHS 2798	NHS 2568	NHS 2562
Round Bars (Diameter)	● MM	Ø 40	Ø 45	Ø 60	Ø 65
ISMB	I MM	150	175	250	300
PIPE	○ NB	150 X 6 t	200 X 6 t	250 X 6 t	300 X 6 t
Flat	— MM	50 x 20	50 x 25	60 x 32	60 x 40
ISA	L MM x MM	65 x 65 x 8	75 x 75 x 8	100 x 100 x 8	120 x 120 x 10

Dealer's Details



ISO 9001 : 2008  
 Certificate Registration No.: 44 100 064042-E3

Telephone  
 +91 731 2856093,  
 2857045-46

Fax  
 +91 731 2857482

Email  
 ncmshoava@ncm.co.in

Website  
 www.ncm.co.in